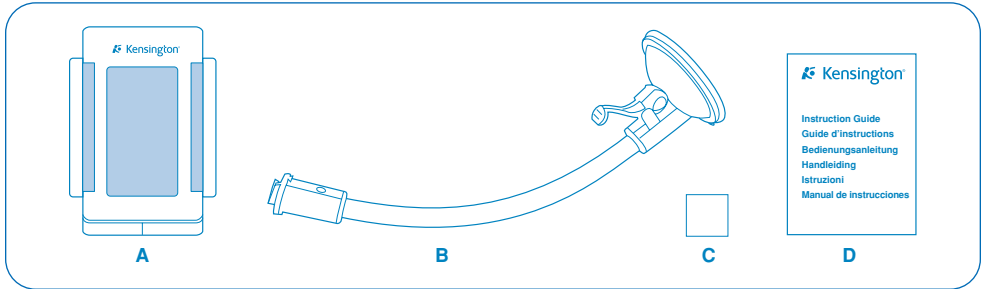




Car Mount for iPod® and MP3 Players

Instruction Guide / Guide d'instructions / Bedienungsanleitung Handleiding / Istruzioni / Manual de instrucciones



English

Contents

- A** Adjustable Holder **B** Suction Arm **C** Double sided tape **D** Instruction Guide

Français

Contenu

- A** Support réglable **B** Bras articulé **C** Ruban adhésif double face **D** Guide d'instructions

Deutsch

Inhalt

- A** Verstellbarer Halter **B** Ansaugarm **C** Doppelseitiges Klebeband **D** Bedienungsanleitung

Nederlands

Inhoud

- A** Verstelbare houder **B** Arm met zuignap **C** Dubbelzijdig plakband **D** Handleiding

Italiano

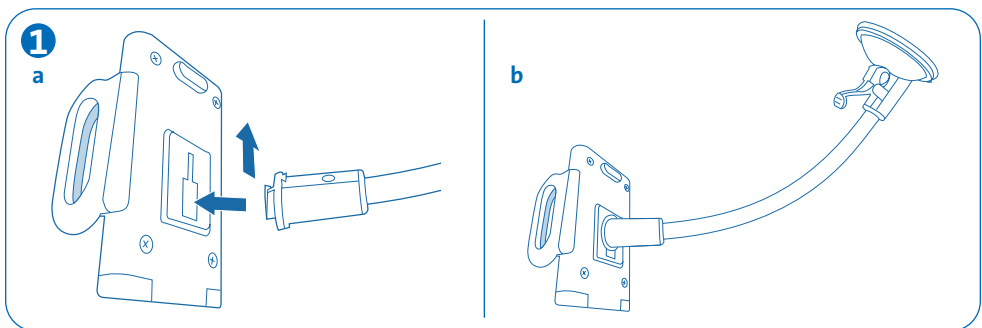
Contenuto

- A** Contenitore regolabile **B** Braccio **C** Nastro biadesivo **D** Istruzioni

Español

Contenido

- A** Base ajustable **B** Brazo de succión **C** Cinta de doble cara **D** Manual de instrucciones



Kensington and ACCO are registered trademarks of ACCO Brands. The Kensington Promise is a service mark of ACCO Brands. iPod® is a registered trademark of Apple Computer, Inc. © 2007 Kensington Computer Products Group, a Division of ACCO Brands. All rights reserved. 2/07
Kensington et ACCO sont des marques déposées d'ACCO Brands. La Kensington Promise est une marque de service d'ACCO Brands. iPod® est une marque déposée d'Apple Computer, Inc. © 2007 Kensington Computer Products Group, une Division d'ACCO Brands. Tous droits réservés. 2/07
Kensington und ACCO sind registrierte Handelsmarken von ACCO Brands. „The Kensington Promise“ ist eine Dienstleistungsmarke von ACCO Brands. iPod® ist eine registrierte Handelsmarke von Apple Computer, Inc. © 2007 Kensington Computer Products Group, ein Bereich von ACCO Brands. Alle Rechte vorbehalten. 2/07

Kensington and ACCO zijn gedeponeerde handelsmerken van ACCO Brands. The Kensington Promise is een servicemerk van ACCO Brands. iPod® is een gedeponeerd handelsmerk van Apple Computer, Inc. © 2007 Kensington Computer Products Group, a division of ACCO Brands. Alle rechten voorbehouden. 2/07

Kensington e ACCO sono marchi registrati di ACCO Brands. The Kensington Promise è un marchio di servizio di ACCO Brands. iPod® è un marchio registrato di Apple Computer, Inc. © 2007 Kensington Computer Products Group, una divisione di ACCO Brands. Tutti i diritti riservati. 2/07
Kensington y ACCO son marcas comerciales registradas de ACCO Brands. The Kensington Promise es marca de servicio de ACCO Brands. iPod® es marca registrada de Apple Computer, Inc. © 2007 Kensington Computer Products Group, división de ACCO Brands. Reservados todos los derechos. 2/07



For technical support visit
Pour tout support technique
veuillez visiter
www.kensington.com

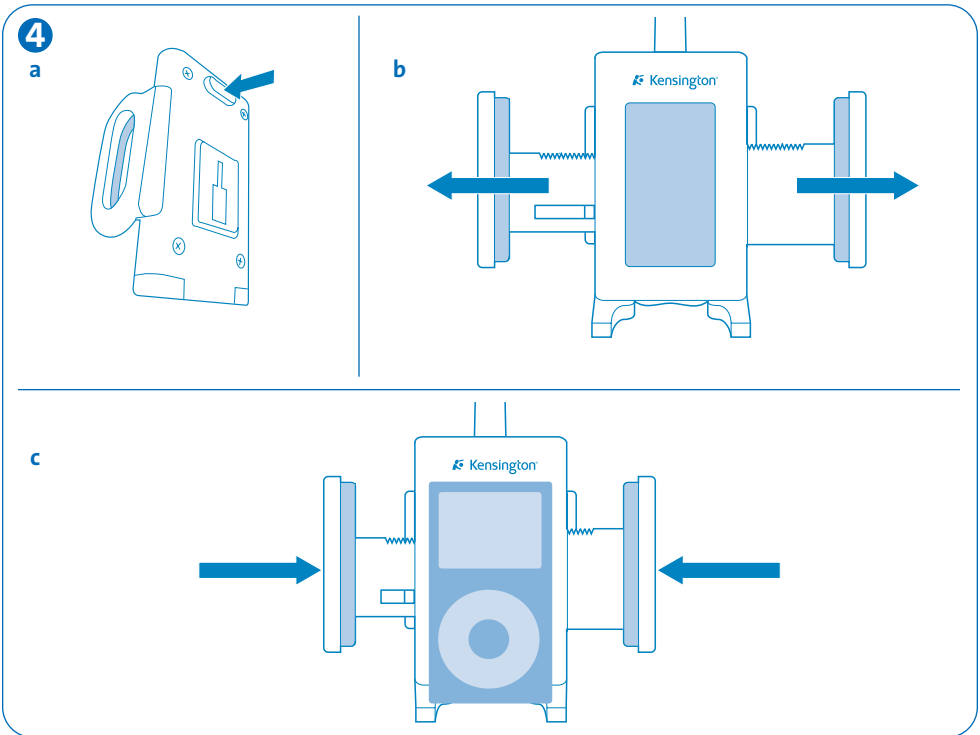
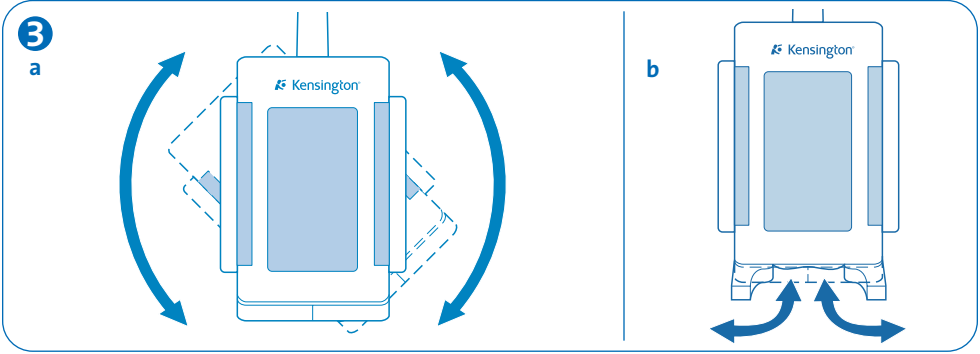
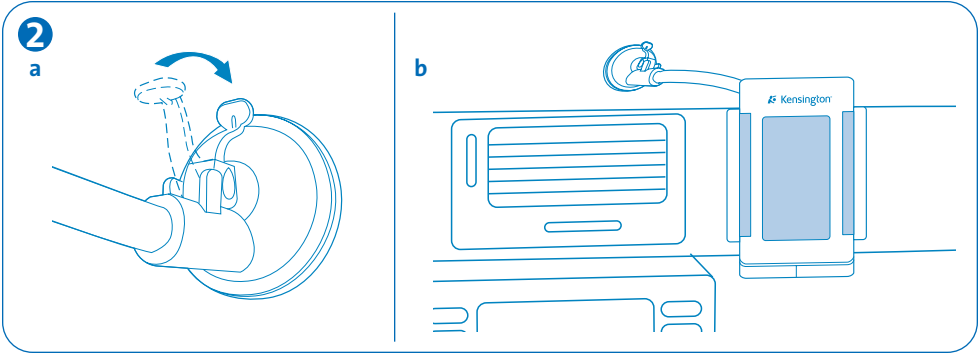
The Kensington Promise™



Kensington Computer Products Group
A Division of ACCO Brands
333 Twin Dolphin Drive, Sixth floor, Redwood Shores, CA 94065
Designed in California, U.S.A. by Kensington. Made in China
www.kensington.com

ACCO Brands Europe
Oxford House
Oxford Road
Aylesbury Bucks, HP21 8SZ
United Kingdom

ACCO Brands Canada
5 Precidio Court
Brampton Ontario
L6S 6B7
Canada



NOTICE TO DRIVERS IN CALIFORNIA AND MINNESOTA: State law prohibits drivers in California and Minnesota from mounting items on car windows that may obstruct the drivers view. In California and Minnesota or where other state or local laws may prohibit drivers from mounting items on the windshield, drivers should mount the holder on the dashboard or other location. Kensington does not take any responsibility for any fines, penalties, or damages that may be incurred as a result of disregarding state or local laws. (See California Vehicle Code Section 26708(a); Minnesota Statutes 2005, Section 169.71)

Alternate mounting instructions for drivers in California and Minnesota.

